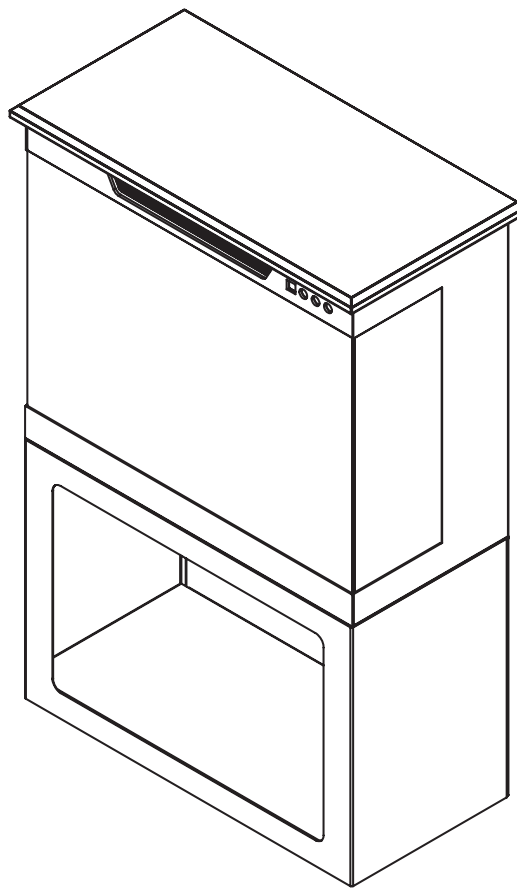




MODERN EMBER

Storage Base

for 3-Sided Electric Fireplace Stove



Model: ME-24-3SD-BLKSB

OWNER'S MANUAL

*Questions, problems, missing parts?
Before returning to store, call Customer Service:*

8am - 5pm CST, Monday - Friday

Phone: 877-430-0703

Email: resolutions@electricfireplacesdirect.com

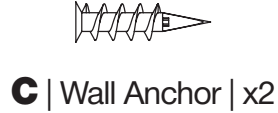
Don't forget to tag us!

#electricfireplacesdirect

#modernember



Parts



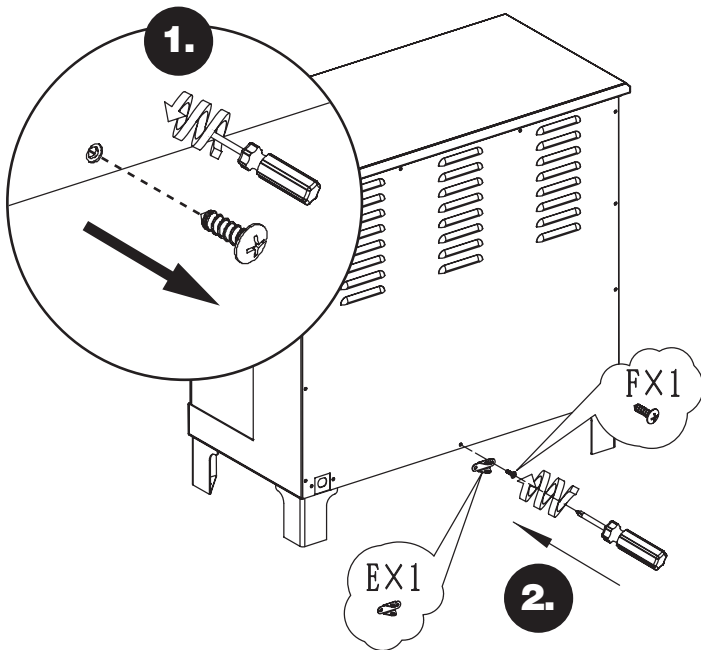
Tools

(NOT INCLUDED)

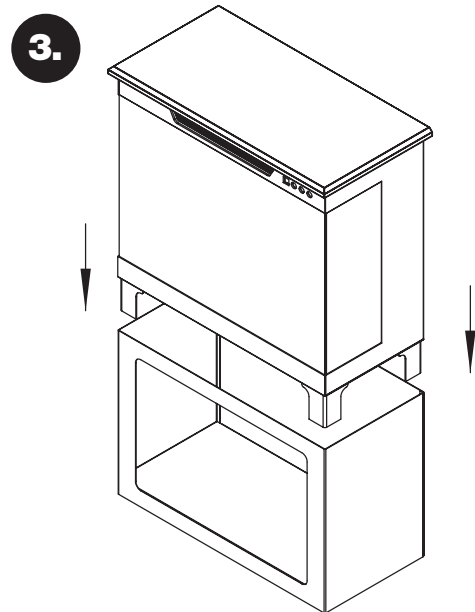


Installation & Assembly

1. Remove Stove Screw (F) from the back of the stove.
2. Attach Safety Bracket (E) using Stove Screw (F).

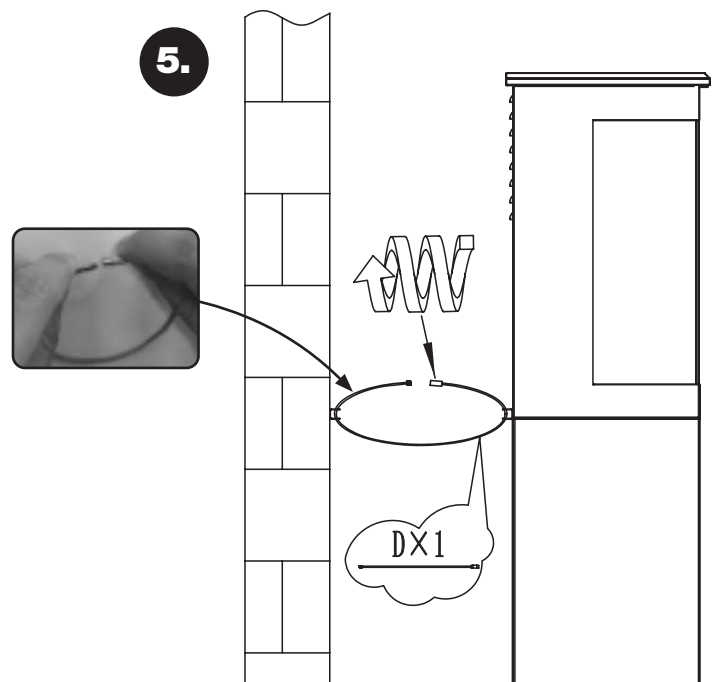


3. Place the Stove into the 3-Sided Stove Base. Press down on all 4 corners to ensure the stove is secure.



4. Thread Safety Strap (D) through back of Stove's Safety Bracket and remaining Safety Bracket (E). Use Safety Bracket to mark hole locations and drill pilot holes. Insert Wall Anchors (C). Secure remaining Safety Bracket (E) to wall using Wall Screws (B).

5. Place Safety Strap (D) between wall and stove Safety Brackets (E) and tighten Safety Strap (D).



NOTE:

Anchor is not necessary if screw is going into a stud.